

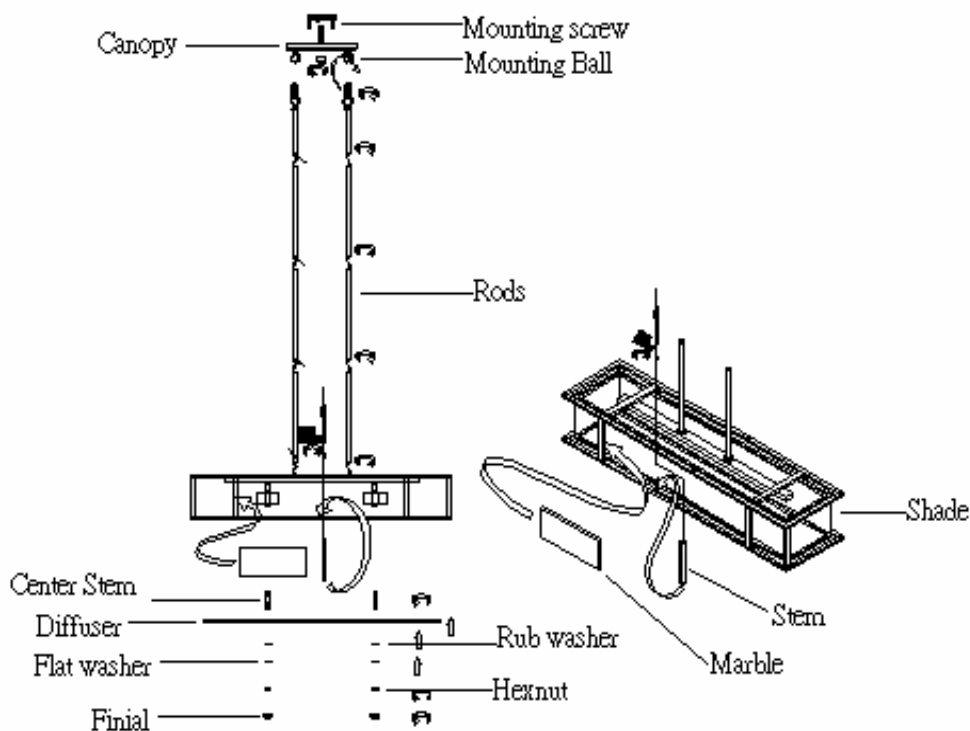


ASSEMBLY INSTRUCTIONS

STYLE# 21224

Careful unpack all lamp parts from the carton.

1. Take the lamp carefully out of the Carton, and place it on a flat surface.
2. Be sure the power to the installation point is power off
3. Put the marble into the shade, then put the **stem** on the **marble** to secure the **marble** tight.
4. Thread **Stem** into the **coupling** underside of the socket cluster, hand tighten until snug.
5. Place the **Ceiling Canopy** over the **Mounting Screws** and thread **Mounting Balls** onto the **Mounting Screws** to secure it , hand tighten until snug.
6. Located the following components over the end of the **Center stem** in turn **Diffuser** ,**Rubber washer**,**Flat washer**.
7. Thread the **Hex Nut** onto the end of the **Center Stem** and tighten until snug to secure the above parts, threaded **Finial** onto the end of the **Stem** and hand. tighten until snug.
8. Install bulbs (not included). See label located at socket area for type and maximum allowed wattage.



21224